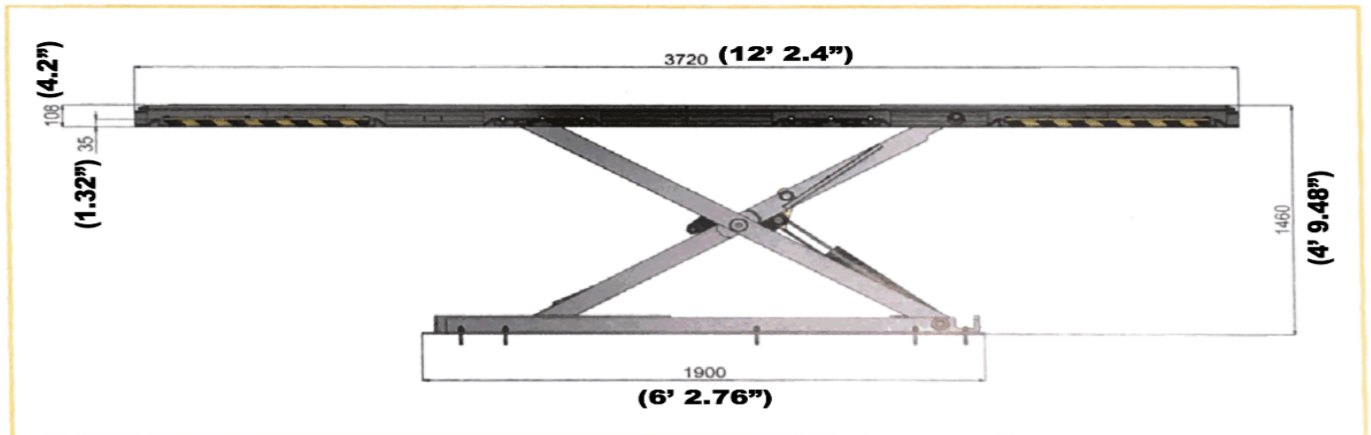
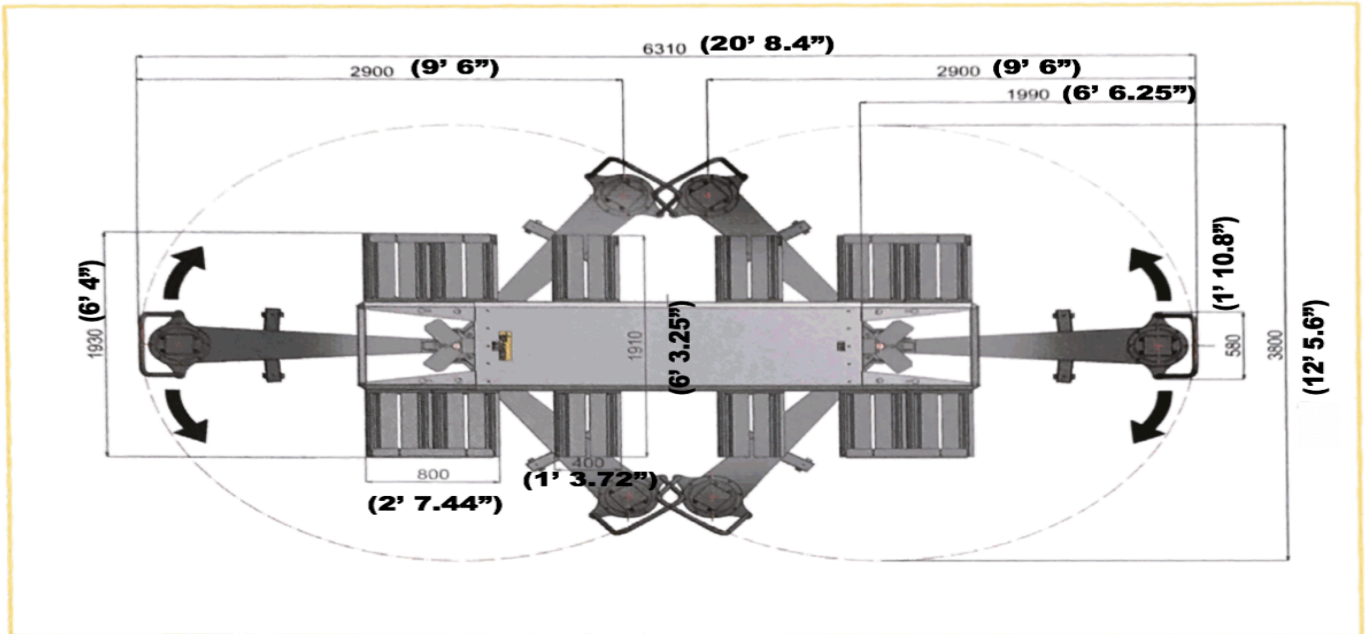




SPANESI MULTIBENCH INSTALLATION DIMENSIONS



Specifications

7000 LBS	Max Load
2105 LBS	Bench Weight
379 LBS	Tower Weight
110 LBS	Control Box Weight
10 TON	Pulling Capacity
208 V 1Phase 30 Amp Power Requirement	
Air Line Required at Control Box	